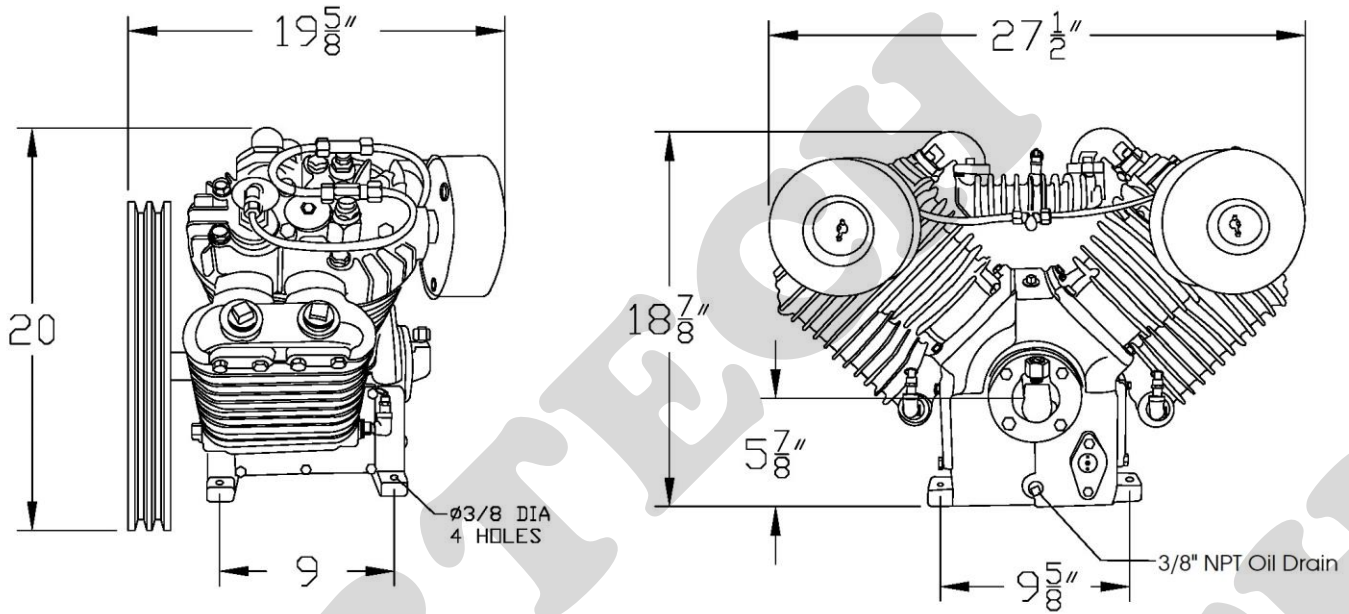




## 10 HP, V-4 Cylinder, 2 Stage Pump, Model NT-10C



Maximum RPM: 800

Maximum pressure: 175 psi

Air delivery: 34 CFM @ 150 psi

Flywheel: 19" OD (2 "B" belts)