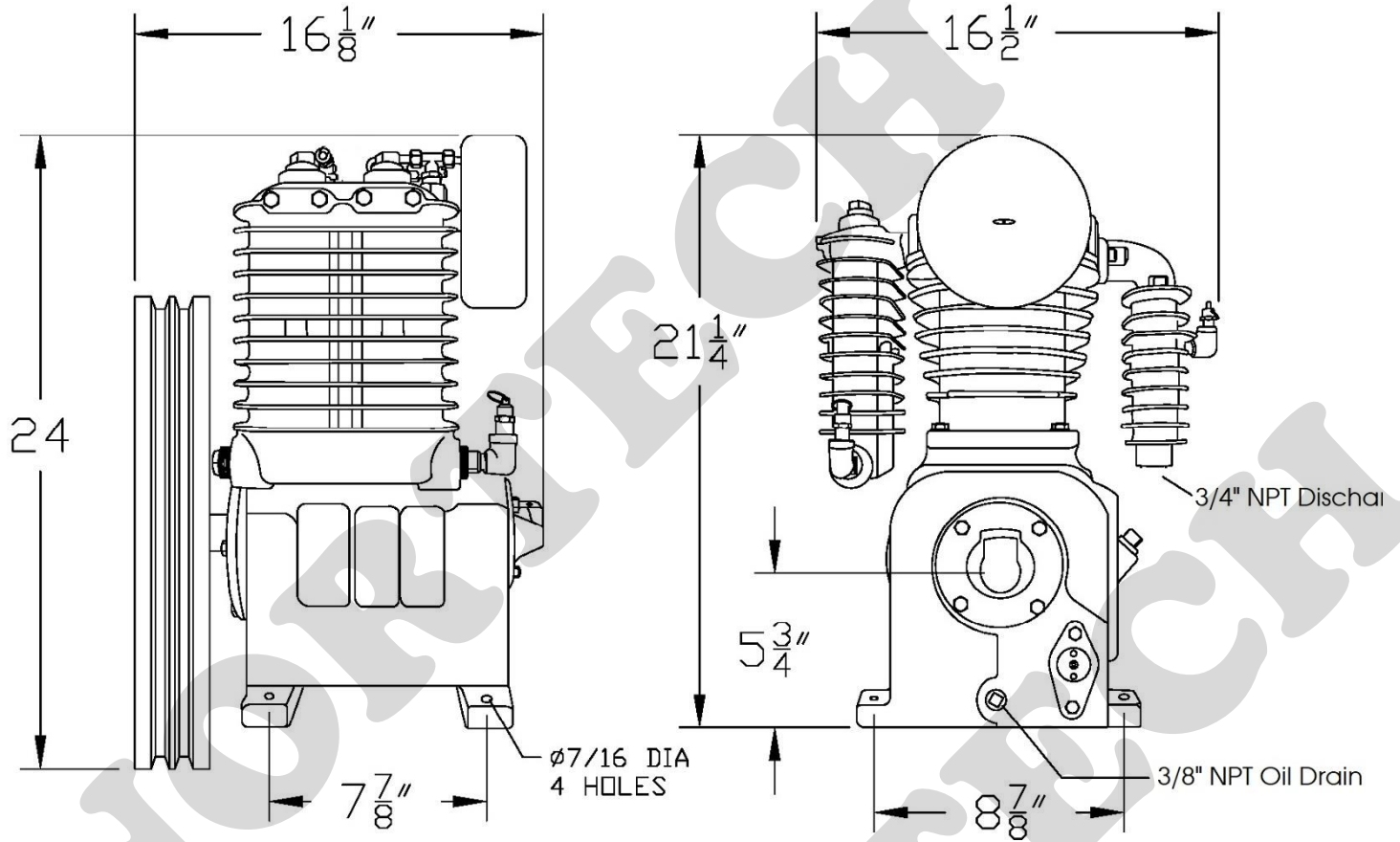




5 HP, 2 Cylinder, 2 Stage Pump, Model NT-5C



Maximum RPM: 800

Maximum pressure: 175 psi

Air delivery: 17.5 CFM @ 150 psi

Flywheel: 16.9" OD (2 "B" belts)